

1000EA, 1000E and 1000 Family Introduction

The ispLSI[®] 1000EA and 1000E devices are functional supersets of the ispLSI 1000 devices and are architecturally similar. The 1000E Family features two new global output enable pins per device (only one for the 1016E) and programmable output slew rate control. The basic unit of logic for the ispLSI families is the Generic Logic Block (GLB). Figure 1 illustrates the ispLSI 1032E with its 32 GLBs labeled A0, A1 .. D7. Each GLB has 18 inputs, a programmable AND/OR/XOR array, and four outputs, which can be configured to be either combinatorial or registered. Inputs to the GLB come from the Global Routing Pool (GRP) and dedicated inputs. All of the GLB outputs are brought back into the GRP so that they can be connected to the inputs of any other GLB on the device.

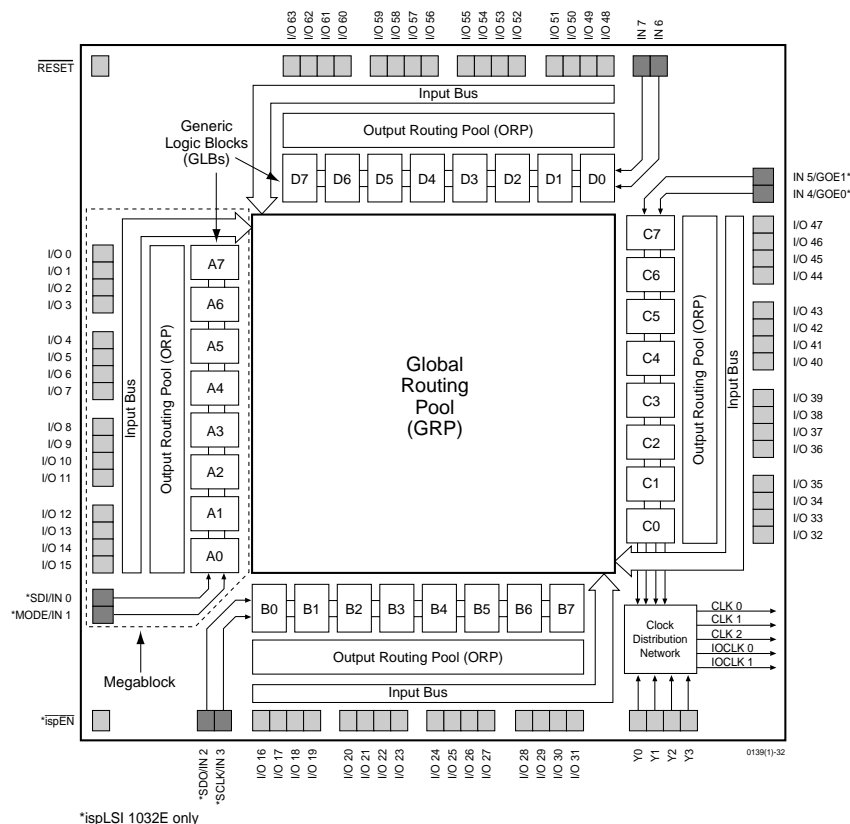
As an example, the ispLSI 1032E has 64 I/O cells, each of which is directly connected to an I/O pin. Each I/O cell can be individually programmed to be a combinatorial

input, registered input, latched input, output or bidirectional I/O pin with 3-state control. Additionally, all outputs are polarity selectable, active high or active low. The signal levels are TTL compatible voltages and the output drivers can source 4 mA or sink 8 mA. For the ispLSI 1000E family only, each output can be programmed independently for slow output slew rate to minimize overall output switching noise.

The I/O cells are grouped into sets of 16 as shown in Figure 1. Each of these I/O groups is associated with a Megablock through the use of the Output Routing Pool (ORP).

Eight GLBs, 16 I/O cells, one ORP and two dedicated inputs are connected together to make a Megablock. The outputs of the eight GLBs are connected to a set of 16 universal I/O cells by the ORP. Each Megablock can generate one common Product Term Output Enable (PTOE) signal. The ispLSI 1032E device, shown in Figure 1, contains four Megablocks.

Figure 1. ispLSI 1032E Functional Block Diagram



1000EA, 1000E and 1000 Family Architectural Description

The GRP has as its inputs the outputs from all of the GLBs and all of the inputs from the bidirectional I/O cells. All of these signals are made available to the inputs of the GLBs. Delays through the GRP have been equalized to minimize timing skew.

Clocks in the devices are selected using the Clock Distribution Network. The dedicated clock pins (Y0, Y1, Y2 and Y3) are brought into the distribution network, and five outputs (CLK 0, CLK1, CLK 2, IOCLK 0 and IOCLK 1) are provided to route clocks to the GLBs and I/O cells. The Clock Distribution Network can also be driven from a special GLB (C0 on the ispLSI 1032 and 1032E devices). The logic of this GLB allows the user to create an internal clock from a combination of internal signals within the device.

The ispLSI 1000E Family is functionally identical to the 1000 Family with the exception of the addition of optional global output enable (GOE) pins. The ispLSI 1016E has one GOE pin option, while the remaining devices have two. These pins are multiplexed with dedicated inputs on the 1016E, 1032E and 1048E for pinout compatibility.

A new feature added to the 1000EA family is Boundary Scan Test. All 1000EA family members are 100% IEEE

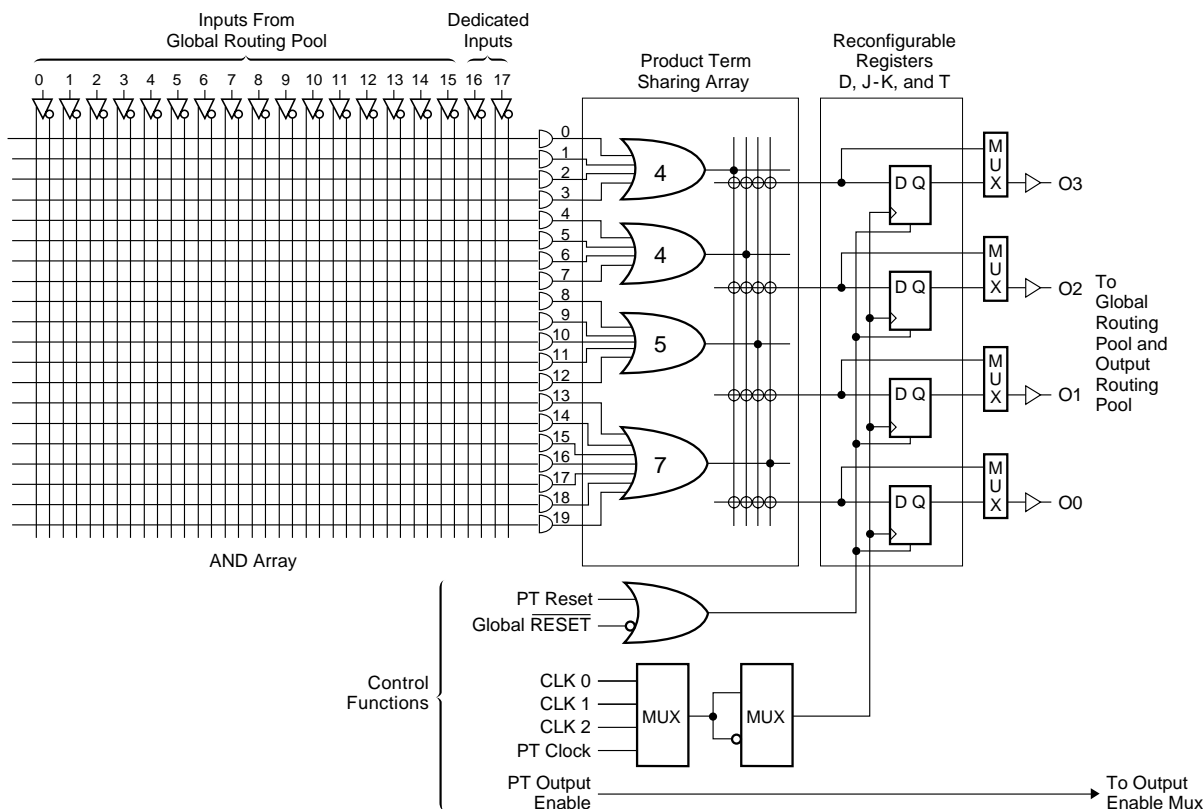
1149.1 Boundary Scan Testable through the Boundary Scan Test Access Port (TAP).

Generic Logic Block

The Generic Logic Block (GLB) is the standard logic block of Lattice Semiconductor Corporation (LSC) high-density ispLSI devices. A GLB has 18 inputs, four outputs and the logic necessary to implement most standard logic functions. The internal logic of the GLB is divided into four separate sections: the AND Array, the Product Term Sharing Array (PTSA), the Reconfigurable Registers, and the Control Functions (see Figure 2). The AND array consists of 20 product terms, which can produce the logical product of any of the 18 GLB inputs. Sixteen of the inputs come from the Global Routing Pool, and are either feedback signals from any of the GLBs or inputs from the external I/O cells. The two remaining inputs come directly from two dedicated input pins. These signals are available to the product terms in both the logical true and the complemented forms which makes Boolean logic reduction more efficient.

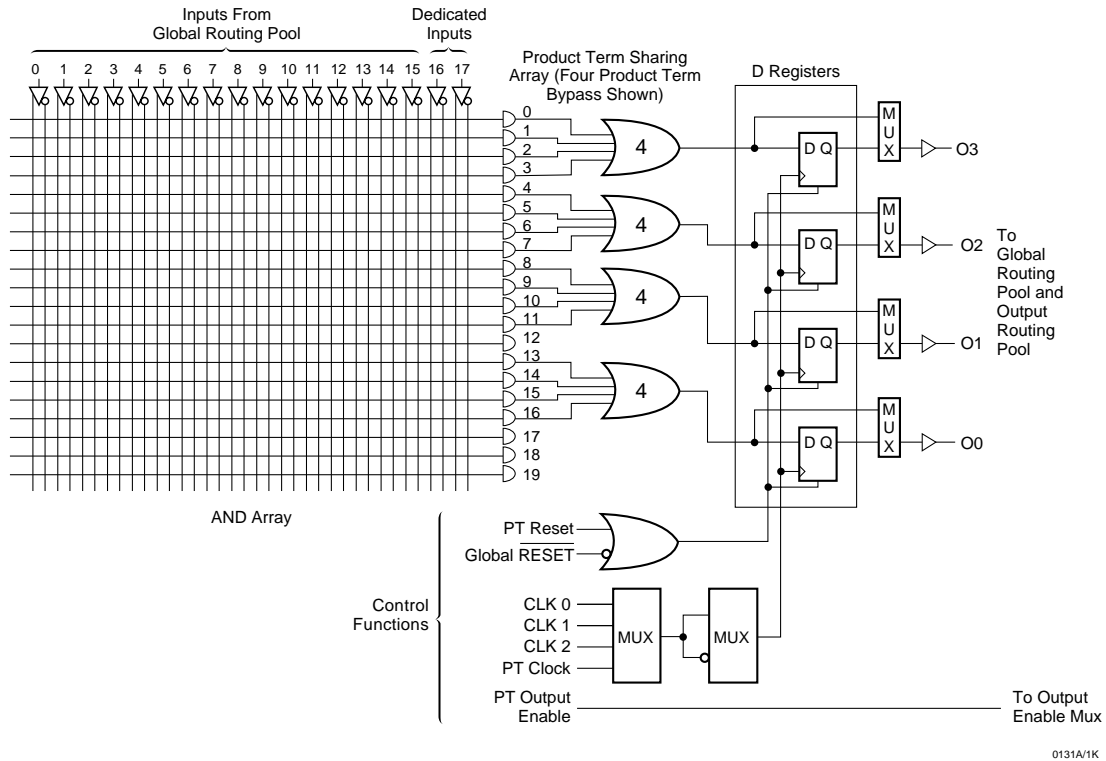
The PTSA takes the 20 product terms and routes them to the four GLB outputs. There are four OR gates, with

Figure 2. GLB: Product Term Sharing Array Example



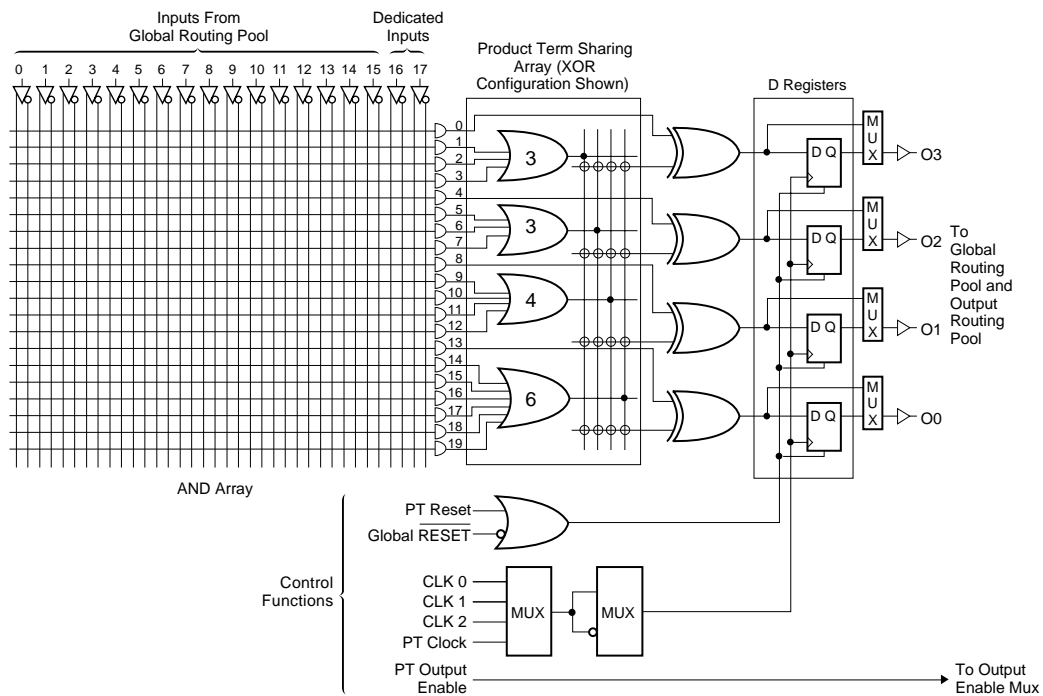
1000EA, 1000E and 1000 Family Architectural Description

Figure 3. GLB: Four Product Term Bypass Example



0131A/1K

Figure 4. GLB: XOR Gate Example



1000EA, 1000E and 1000 Family Architectural Description

Generic Logic Block (continued)

four, four, five and seven product terms each (see Figure 2). The output of any of these OR gates can be routed to any of the four GLB outputs, and if more product terms are needed, the PTSA can combine them as necessary. In addition, the PTSA can share product terms similar to an FPLA device. If the user's main concern is speed, the PTSA can use a bypass circuit which provides four product terms to each output, to increase the performance of the cell (see Figure 3). This can be done to any or all of the four outputs from the GLB.

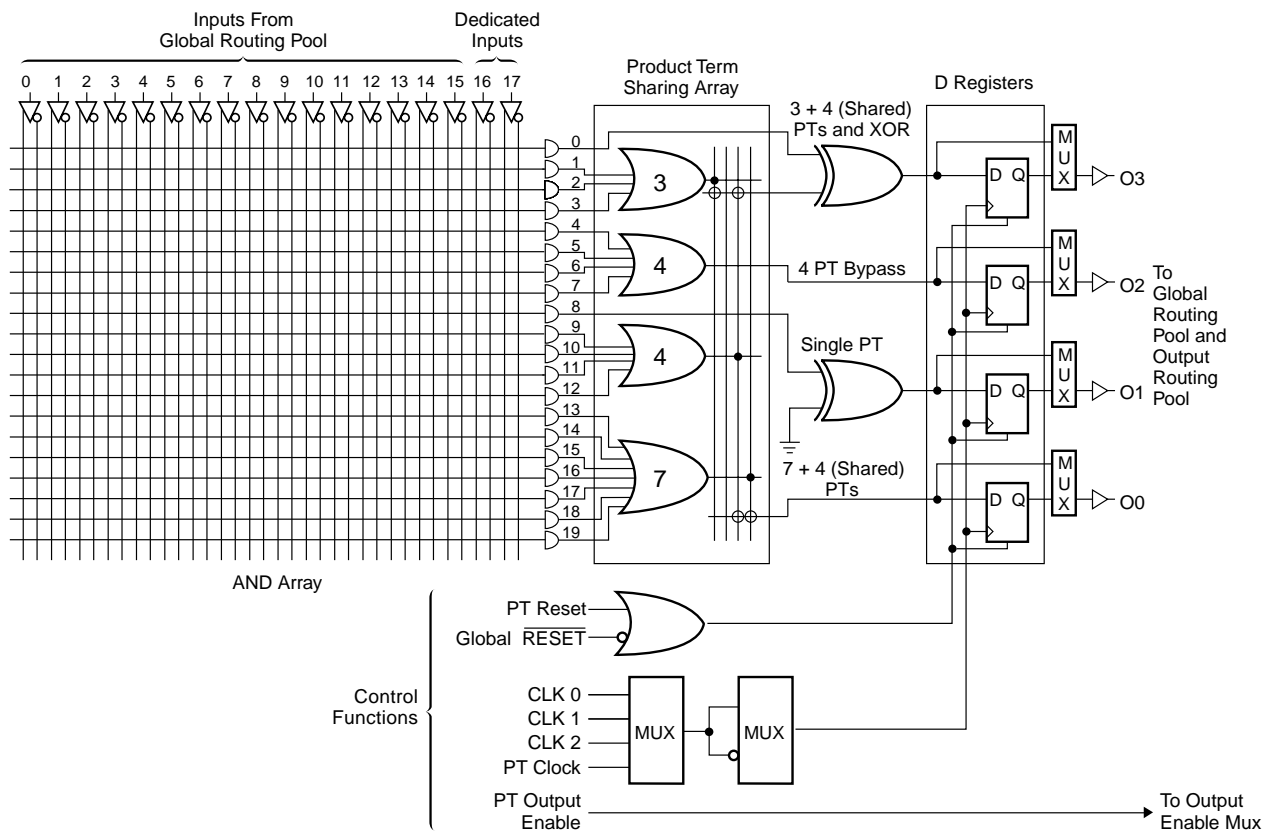
The Reconfigurable Registers consist of four D-type flip-flops with an XOR gate on the input. The XOR gate in the GLB can be used either as a logic element or to reconfigure the D-type flip-flop to emulate a J-K or T-type flip-flop (see Figure 4). This greatly simplifies the design of counters, comparators and ALU type functions. The registers can be bypassed if the user needs a combinatorial output. Each register output is brought back into the

Global Routing Pool and is also brought to the I/O cells via the Output Routing Pool. Reconfigurable registers are not available when the four product term bypass is used.

The PTSA is flexible enough to allow these features to be used in virtually any combination that the user desires. In the GLB shown in Figure 5, Output Three (O3) is configured using the XOR gate while Output Two (O2) is configured using the four Product Term Bypass. Output One (O1) uses one of the inputs from the five Product Term OR gate while Output Zero (O0) combines the remaining four product terms with all of the product terms from the seven Product Term OR gate for a total of 11 (7+4).

Various signals that control the operation of the GLB outputs are driven from the Control Functions (see Figure 5). The clock for the registers can come from any of three sources developed in the Clock Distribution Network (see Clock Distribution Network section) or from a product term within the GLB. The Reset Signal for the GLB can

Figure 5. GLB: Mixed Mode Configuration Example



1000EA, 1000E and 1000 Family Architectural Description

come from the Global Reset pin ($\overline{\text{RESET}}$) or from a product term within the GLB. The global reset pin is always connected and is logically "ORed" with the PT reset (if used). An active reset signal always sets the Q of the registers to a logic 0 state. The Output Enable for the I/O cells associated with the GLB comes from a product term within the block. Use of a product term for a control function makes that product term unavailable for use as a logic term. Refer to the Product Term Sharing Matrix (Table 1) to determine which logic functions are affected.

There are many additional features in a GLB that allow implementation of logic intensive functions. These features are accessible using the Hard Macros from the software and require no intervention on the part of the user.

Product Term Sharing Matrix

This matrix describes how each of the product terms are used in the various modes. As an example, Product Term 12 can be used as an input to the five input OR gate in the standard configuration. This OR gate under standard

configuration can be routed to any of the four GLB outputs. Product Term 12 is not used in the four product term bypass mode. When GLB output one is used in the XOR mode Product Term 12 becomes one of the inputs to the four input OR Gate. If Product Term 12 is not used in the logic, then it is available for use as either the Asynchronous Clock signal or the GLB Reset signal.

The Megablock

A Megablock consists of eight GLBs, an ORP, 16 I/O cells, two dedicated inputs and a common product term OE. Each of these will be explained in detail in the following sections. These elements are coupled together as shown in Figure 6. The various members of the ispLSI 1000EA, 1000E and 1000 families combine from one to six Megablocks on a single device (see Table 2).

For the 1000EA, 1000E and 1000 families, the eight GLBs within the Megablock share two dedicated input pins. These dedicated input pins are not available to GLBs in any other Megablock. These pins are dedicated (non-registered) inputs only. The product term OE signal

Table 1. Product Term Sharing Matrix

Product Term #	Standard Configuration Output Number				Four Product Term Bypass Output Number				Single Product Term Output Number				XOR Function Output Number						Alternate Function		
	3	2	1	0	3	2	1	0	3	2	1	0	3	3	2	2	1	1		0	0
0	■	■	■	■	■				■				■								
1	■	■	■	■	■									■							
2	■	■	■	■	■									■							
3	■	■	■	■	■									■							
4	■	■	■	■		■			■						■						
5	■	■	■	■		■										■					
6	■	■	■	■		■										■					
7	■	■	■	■		■										■					
8	■	■	■	■			■			■							■				
9	■	■	■	■			■										■				
10	■	■	■	■			■										■				
11	■	■	■	■			■										■				
12	■	■	■	■			■										■				■ CLK/Reset
13	■	■	■	■				■			■										
14	■	■	■	■				■													
15	■	■	■	■				■													
16	■	■	■	■				■													
17	■	■	■	■				■													
18	■	■	■	■				■													
19	■	■	■	■				■													■ OE/Reset

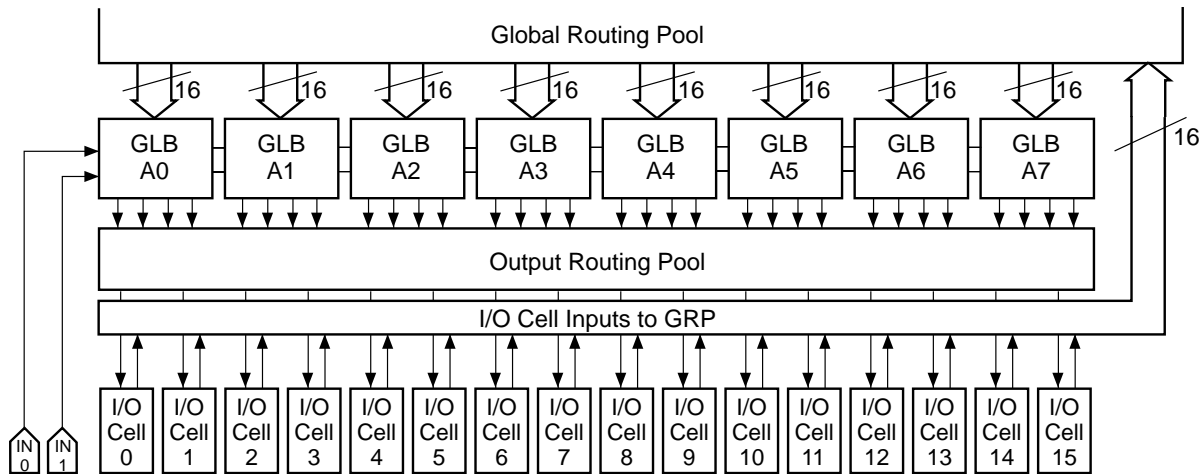
1000EA, 1000E and 1000 Family Architectural Description

Table 2. Device Resources

ispLSI Device	Megablocks	GLBs	I/O Cells	Dedicated Inputs
1016/1016E/1016EA	2	16	32	4/4/1
1024/1024EA	3	24	48	6/2
1032/1032E/1032EA	4	32	64	8/8/4
1048/1048C/1048E/1048EA	6	48	96	10/12/12/8

Table 2-0051/1K

Figure 6. The Megablock Block Diagram



is generated within the Megablock. The OE signal can be generated using a product term (PT19) in any of eight GLBs within the Megablock. See Output Enable Control section for further details.

Because of the shared logic within the Megablock, signals that share a common function (counters, busses, etc.) should be grouped within a Megablock. This will allow the user to obtain the best utilization of the logic within the device and eliminate routing bottlenecks.

Input Routing

Signal inputs are handled in two ways within the device. First, each I/O cell within the device has its input routed directly to the GRP. This gives every GLB within the device access to each I/O cell input. Second, each Megablock has two dedicated inputs which are directly routed to the eight GLBs within the Megablock. Both input paths are shown in Figure 6.

The Output Routing Pool

The ORP routes signals from the GLB outputs to I/O cells configured as outputs or bidirectional pins (see Figure 7).

The purpose of the ORP is to allow greater flexibility when assigning I/O pins. It also simplifies the job for the routing software which results in a higher degree of utilization.

By examining the ORP in Figure 7, it can be seen that a GLB output can be connected to one of four I/O cells. Further flexibility is provided by using the PTSA (Figures 2 through 5) which makes the GLB outputs completely interchangeable. This allows the routing program to freely interchange the outputs to achieve the best routability. This is an automatic process and requires no intervention on the part of the user.

The ORP bypass connections (see Figure 8) further increase the flexibility of the device. The ORP bypass connects specific GLB outputs to specific I/O cells at a faster speed. The bypass path tends to restrict the routability of the device and should only be used for critical signals.

1000EA, 1000E and 1000 Family Architectural Description

Figure 7. Output Routing Pool

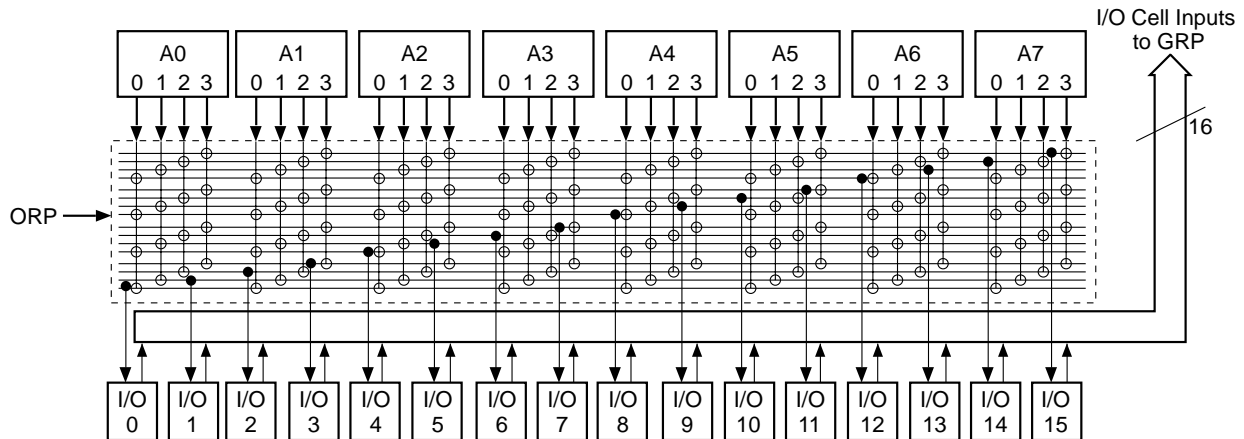
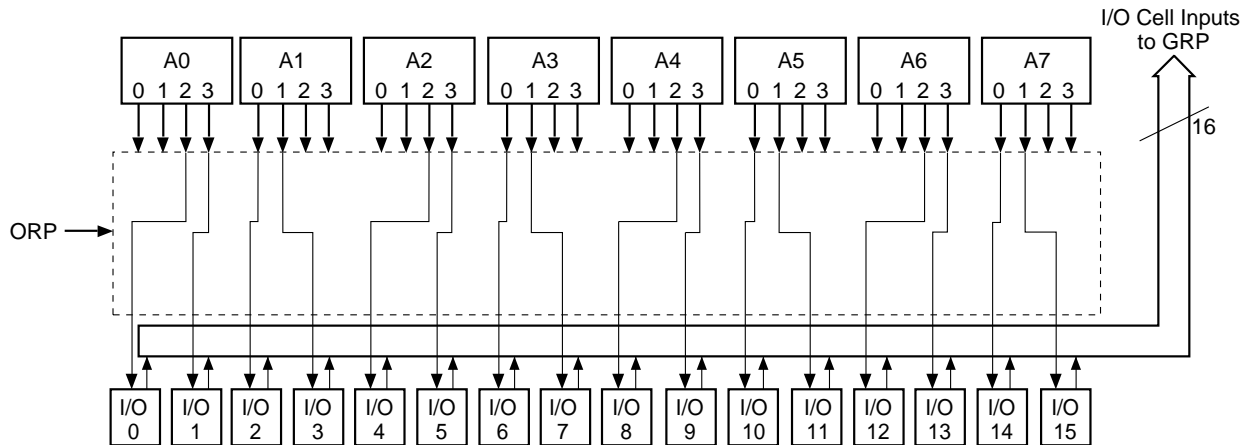


Figure 8. Output Routing Pool Showing Bypass



I/O Cell

The I/O cell (see Figure 9) is used to route input, output or bidirectional signals connected to the I/O pin. One logic input comes from the ORP, and the other comes from the faster ORP bypass (see Figure 9). A pair of multiplexers select which signal will be used, and its polarity.

As with the data path, a multiplexer selects the signal polarity. The Output Enable can be set to a logic high (enabled) when an output pin is desired, or logic low (disabled) when an input pin is needed. The Global Reset ($\overline{\text{RESET}}$) signal is driven by the active low chip reset pin. This reset is always connected to all GLB and I/O registers. Each I/O cell can individually select one of the two clock signals (IOCLK 0 or IOCLK 1). These clock signals are generated by the Clock Distribution Network.

Using the multiplexers, the I/O cell can be configured as an input, an output, a 3-stated output or a bidirectional

I/O. The D-type register can be configured as a level sensitive transparent latch or an edge triggered flip-flop to store the incoming data. Figure 10 illustrates some of the various I/O cell configurations possible.

There is an active pull-up resistor on the I/O pins which is automatically used when the pin is not connected. An option exists to have active pull-up resistors connected to all pins. This improves the noise immunity and reduces I_{cc} for the device. The I/O pins used by the functional design can be individually configured to use or not use the pull-up.

The 1000EA family includes additional open-drain and VCCIO features that are programmable on each I/O pin. A reference VCCIO pin is added to the 1000EA family which can be tied to either a 3.3V or 5V supply.

1000EA, 1000E and 1000 Family Architectural Description

Figure 9. I/O Cell Architecture

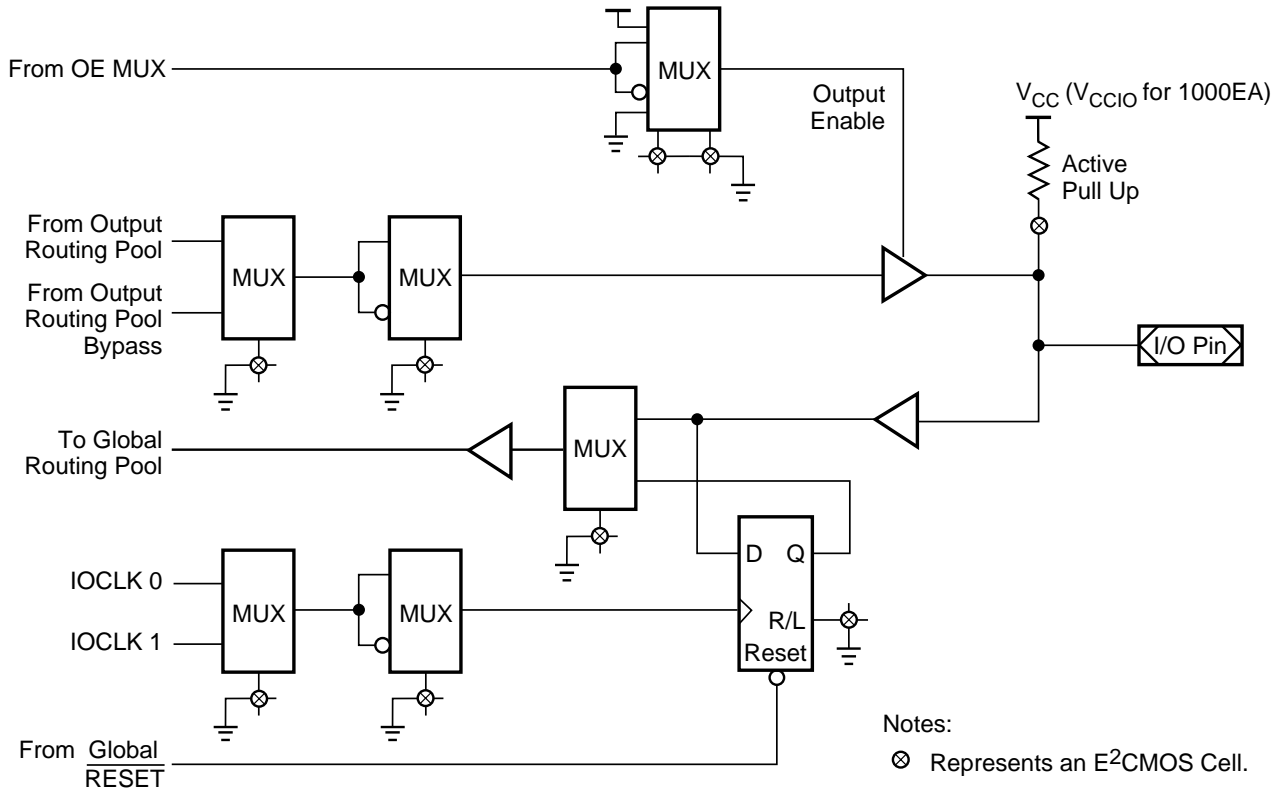
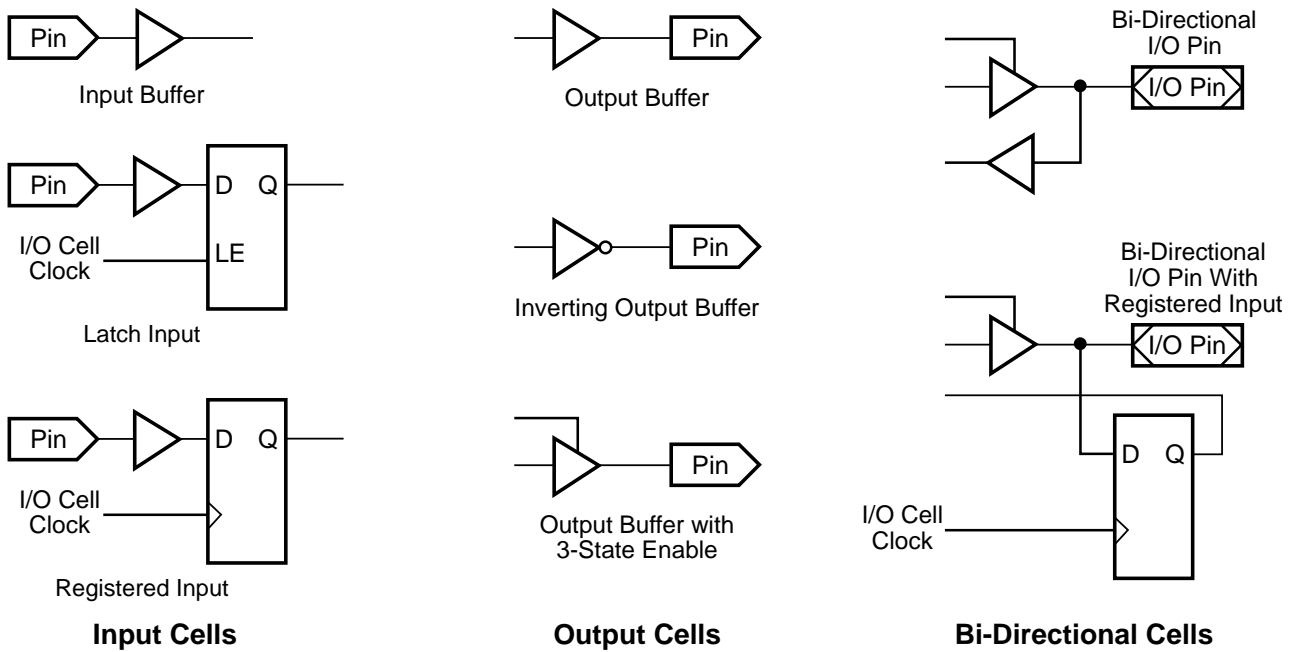


Figure 10. Examples of I/O Cell Configurations



1000EA, 1000E and 1000 Family Architectural Description

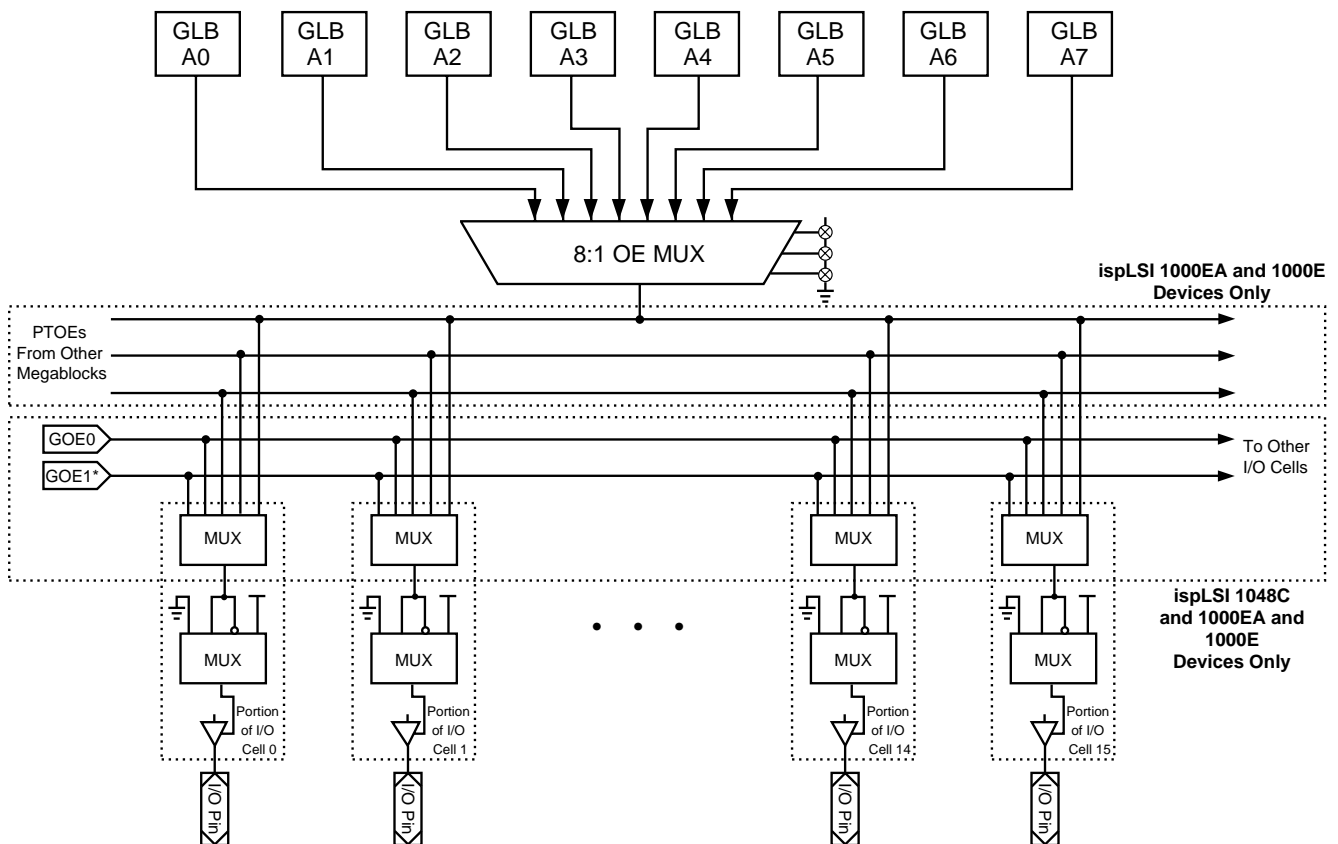
The Output Enable Control

One OE signal can be generated within each GLB using the OE Product Term (PT19). For the 1000 family, one of the eight OE signals within a Megablock is then routed to all of the I/O cells within that Megablock (see Figure 11). This OE signal can simultaneously control all of the 16 I/O cells that are used in 3-state mode. Individual I/O cells also have independent control for permanently enabling or disabling the output buffer (refer to the I/O cell section, figure 9). Therefore, only one OE signal is allowed per Megablock for 3-state operation in the 1000 family. The advantage to this approach is that the OE signal can be generated in any GLB within the Megablock that happens to have an unused OE product term. If not used for generating the OE, this product term is available to the

logic. For the 1000EA and 1000E families, the product term OE signal produced in each Megablock is available to all I/O cells instead of only the 16 I/O cells in the Megablock that produced the signal. This product term OE bus allows more flexibility for bi-directional or tri-state control in the 1000EA and 1000E families over the 1000 Family.

The 1000EA and 1000E families and 1048C device also have optional Global Output Enable (GOE) inputs. These provide minimum delay output enable control and additional OE signal choices to the OE MUX. On the 1016EA, 1016E and 1032E devices, they are multiplexed with dedicated inputs.

Figure 11. Output Enable Control for a Megablock



0134/1K

*Not available on ispLSI 1016E.

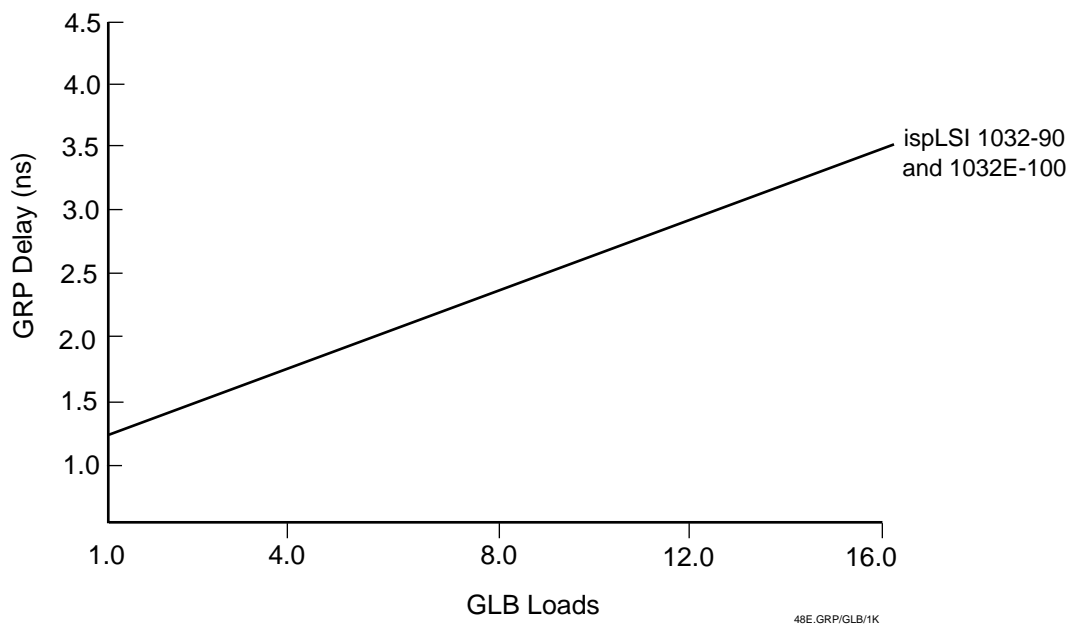
1000EA, 1000E and 1000 Family Architectural Description

Global Routing Pool

The GRP is a proprietary interconnect structure that offers fast predictable speeds with complete connectivity. The GRP allows the outputs from the GLBs or the I/O cell inputs to be connected to the inputs of the GLBs. Any GLB output is available to the input of all other GLBs,

and similarly an input from an I/O pin is available as an input to all of the GLBs. Because of the uniform architecture of the ispLSI devices, the delays through the GRP are both consistent and predictable. However, they are slightly affected by GLB loading as shown in Figure 12.

Figure 12. GRP Delay vs GLB Loading Example



Clock Distribution Network

The Clock Distribution Networks are shown in Figure 13. They generate five global clock signals CLK 0, CLK 1, CLK 2, IOCLK 0 and IOCLK 1. The first three, CLK 0, CLK 1 and CLK 2 may be used for clocking all the GLBs in the device. Similarly, IOCLK 0 and IOCLK 1 signals are used for clocking all of the I/O cells in the device. There are four dedicated system clock pins (Y0, Y1, Y2, Y3) (three for the ispLSI 1016 (Y0, Y1, Y2)), which can be directed to any GLB or any I/O cell using the Clock Distribution Network. The other inputs to the Clock Distribution Network are the four outputs of a dedicated clock GLB ("C0" for the ispLSI 1032 is shown in Figure 1). These clock GLB outputs can be used to create a user-defined internal clocking scheme.

For example, the clock GLB can be clocked using the external main clock pin Y0 connected to global clock

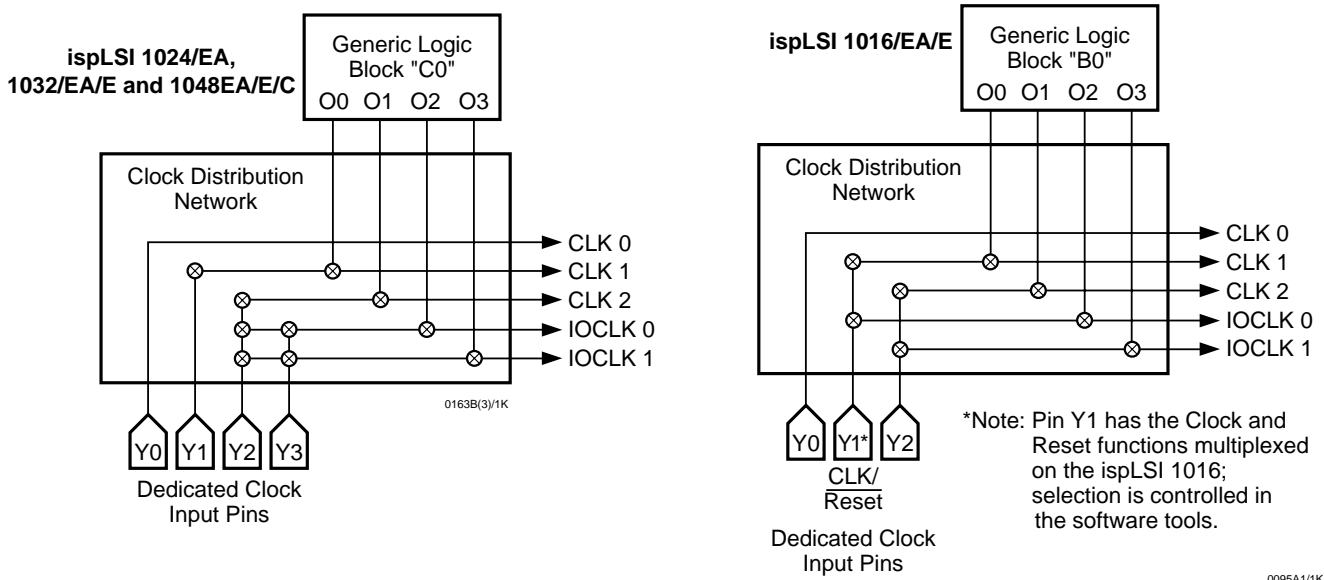
signal CLK 0. The outputs of the clock GLB in turn can generate a "divide by" signal of the CLK 0 which can be connected to the CLK 1, CLK 2, IOCLK 0 or IOCLK 1 global clock lines.

All GLBs have the capability of generating their own asynchronous clocks using the clock Product Term (PT12). CLK 0, CLK 1 and CLK 2 feed to their corresponding clock MUX inputs on all the GLBs (see Figure 2).

The two I/O clocks generated in the Clock Distribution Network IOCLK 0 and IOCLK 1, are brought to all the I/O cells and the user programs the I/O cell to use one of the two.

1000EA, 1000E and 1000 Family Architectural Description

Figure 13. Clock Distribution Networks

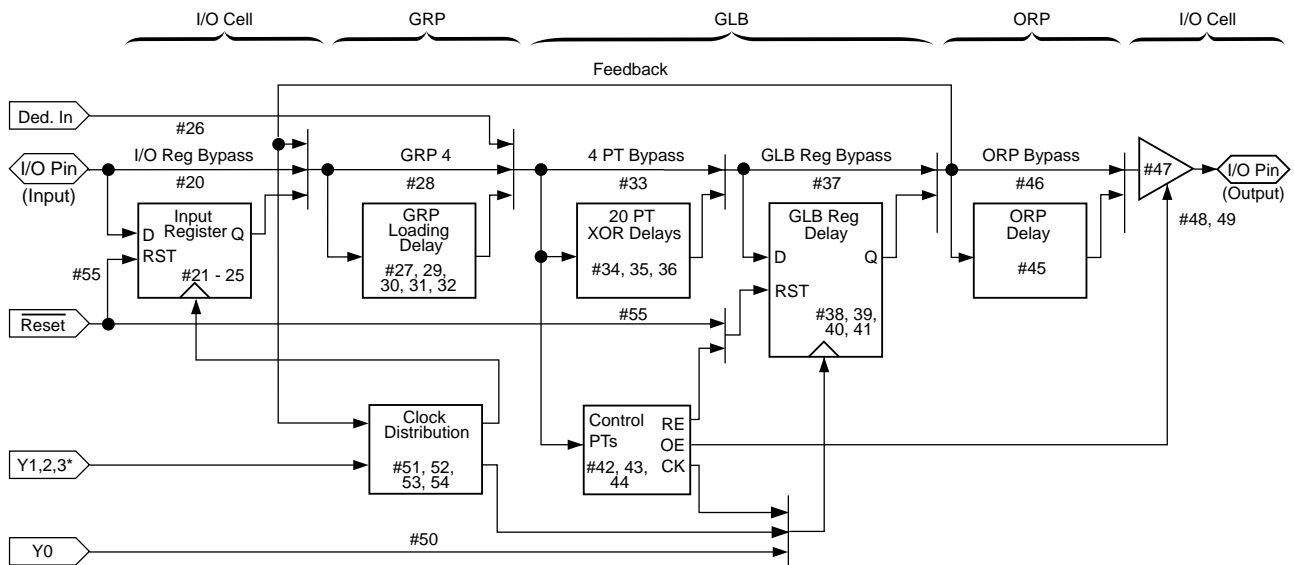


Timing Model

The task of determining the timing through the device is simple and straightforward. A device timing model is shown in Figure 14. To determine the time that it takes for data to propagate through the device, simply determine the path the data is expected to follow, and add the

various delays together (Figure 15). Critical timing paths are shown in Figure 14, using data sheet parameters. Note that the Internal timing parameters are given for reference only, and are not tested. External timing parameters are tested and guaranteed on every device.

Figure 14. ispLSI 1000 Timing Model^{1, 2}



*Note: Y1 and Y2 only for the ispLSI 1016 and 1016E.

1000EA, 1000E and 1000 Family Architectural Description

Figure 15. ispLSI Timing Model Examples^{1, 2}

Combinatorial Paths

$$\begin{aligned} \text{tpd1} &= \text{tiobp} + \text{tgrp4} + \text{t4ptbp} + \text{t20ptxor} + \text{torpbb} + \text{tob} \\ \#1 &= \#20 + \#28 + \#33 + \#37 + \#46 + \#47 \end{aligned}$$

$$\begin{aligned} \text{tpd2} &= \text{tiobp} + \text{tgrp4} + \text{txoradj} + \text{t20ptxor} + \text{torp} + \text{tob} \\ \#2 &= \#20 + \#28 + \#36 + \#37 + \#45 + \#47 \end{aligned}$$

Registered Paths

General Form:

$$\begin{aligned} \text{tsu} &= \text{Logic} + \text{Regsu} - \text{Clock(min)} \\ \text{th} &= \text{Clock(max)} + \text{Regh} - \text{Logic} \\ \text{tco} &= \text{Clock(max)} + \text{Regco} + \text{Output} \end{aligned}$$

Specific Examples:

$$\begin{aligned} \text{tsu1} &= (\text{tiobp} + \text{tgrp4} + \text{t4ptbp}) + \text{tgsu} - \text{tgy0(min)} \\ \#6 &= (\#20 + \#28 + \#33) + \#38 - \#50 \end{aligned}$$

$$\begin{aligned} \text{th1} &= \text{tgy0(max)} + \text{tgh} - (\text{tiobp} + \text{tgrp4} + \text{t4ptbp}) \\ \#8 &= \#50 + \#39 - (\#20 + \#28 + \#33) \end{aligned}$$

$$\begin{aligned} \text{tco1} &= \text{tgy0(max)} + \text{tgco} + (\text{torpbb} + \text{tob}) \\ \#7 &= \#50 + \#40 + (\#46 + \#47) \end{aligned}$$

$$\begin{aligned} \text{tsu2} &= (\text{tiobp} + \text{tgrp4} + \text{txoradj}) + \text{tgsu} + \text{tgy0(min)} \\ \#9 &= (\#20 + \#28 + \#36) + \#38 + \#50 \end{aligned}$$

$$\begin{aligned} \text{th2} &= \text{tgy0(max)} + \text{tgh} - (\text{tiobp} + \text{tgrp4} + \text{txoradj}) \\ \#11 &= \#50 + \#39 - (\#20 + \#28 + \#36) \end{aligned}$$

$$\begin{aligned} \text{tco2} &= \text{tgy0(max)} + \text{tgco} + (\text{torp} + \text{tob}) \\ \#10 &= \#50 + \#40 + (\#45 + \#47) \end{aligned}$$

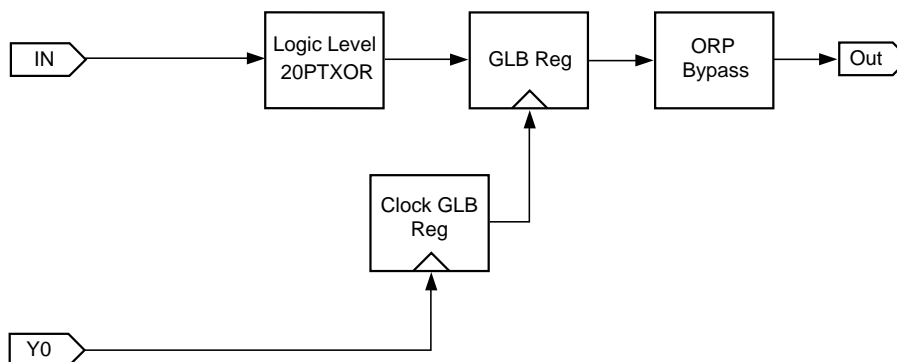
Table 2-0016/1k.eps

1. The timing parameter reference numbers refer to the Internal Timing Parameters contained in the individual data sheets.
2. The example timing model refers to the 1000 devices. For the 1000EA and 1000E timing models, please refer to the individual data sheets.

Circuit Timing Example

A design requires one logic level (using the 20PTXOR path). The design then uses a GLB register before exiting the device using the ORP bypass. Calculate tsu , th and tco .

Figure 16. Timing Calculation Example



0494/1K

1000EA, 1000E and 1000 Family Architectural Description

Figure 16. Timing Calculation Example (continued)

$$\begin{aligned} \text{tsu} &= \text{Logic} + \text{Reg su} - \text{Clock (min)} \\ &= (\text{tiobp} + \text{tgrp4} + \text{t20ptxor}) + (\text{tgsu}) - (\text{tgy0(min)} + \text{tgco} + \text{tgcp(min)}) \\ &= (\#22 + \#30 + \#37) + (\#40) - (\#54 + \#42 + \#56) \\ 4.2 \text{ ns} &= (0.3 + 2.4 + 5.8) + (0.5) - (1.5 + 2.5 + 0.8) \\ \\ \text{th} &= \text{Clock (max)} + \text{Reg h} - \text{Logic} \\ &= (\text{tgy0(max)} + \text{tgco} + \text{tgcp(max)}) + (\text{tgh}) - (\text{tiobp} + \text{tgrp4} + \text{t20ptxor}) \\ &= (\#54 + \#42 + \#56) + (\#41) - (\#22 + \#30 + \#37) \\ 3.1 \text{ ns} &= (1.5 + 2.5 + 1.8) + (5.8) - (0.3 + 2.4 + 5.8) \\ \\ \text{tco} &= \text{Clock (max)} + \text{Reg co} + \text{Output} \\ &= (\text{tgy0(max)} + \text{tgco} + \text{tgcp(max)}) + (\text{tgco}) + (\text{torp} + \text{tob}) \\ &= (\#54 + \#42 + \#56) + (\#42) + (\#47 + \#49) \\ 11.3 \text{ ns} &= (1.5 + 2.5 + 1.8) + (2.5) + (1.0 + 2.0) \end{aligned}$$

Table 2-0042a-32

1. Calculations are based upon timing specifications for the ispLSI 1032E-100 device.