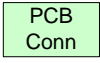
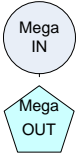

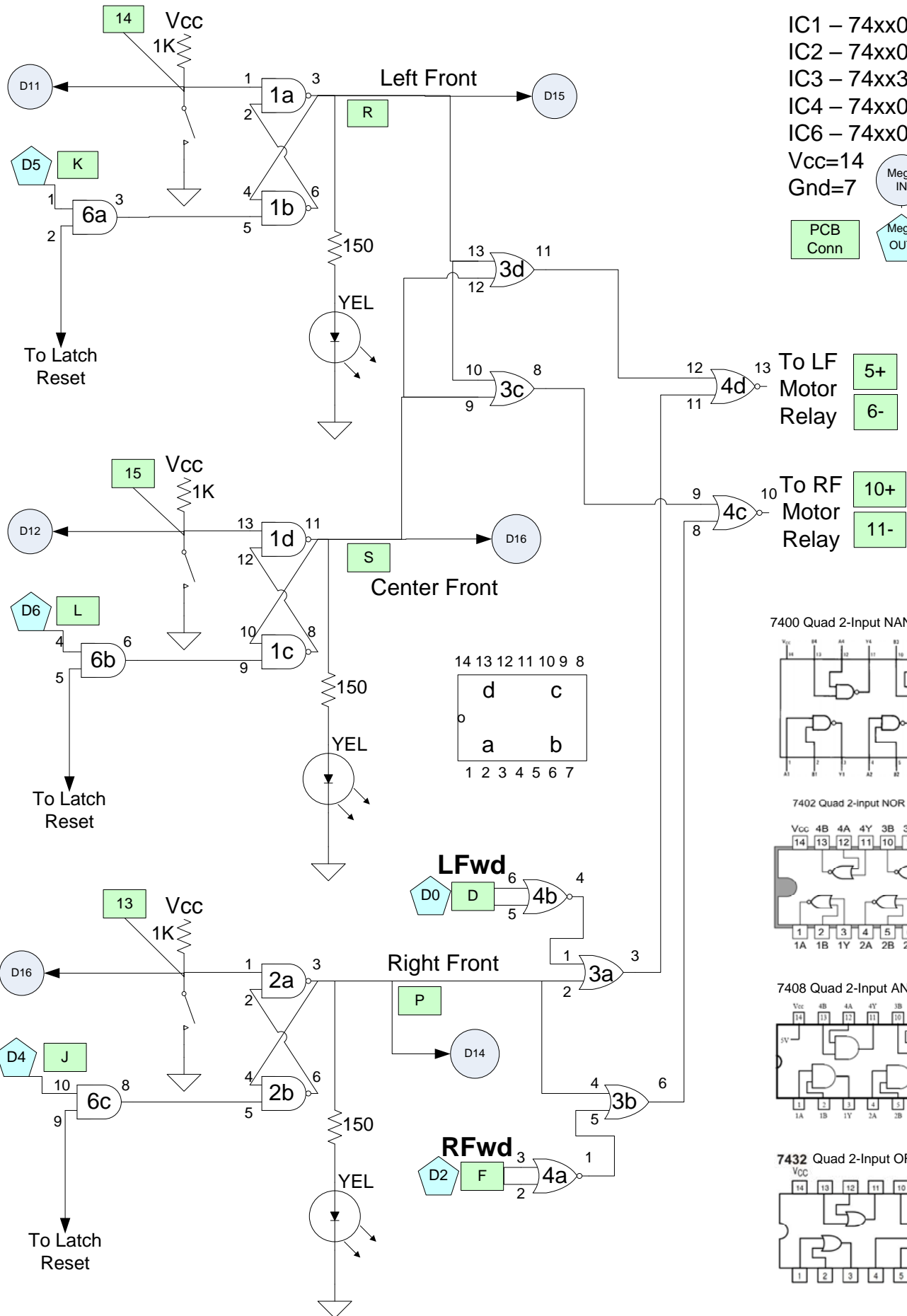


Front Sensor/Motor Relay Controls

- IC1 – 74xx00
 - IC2 – 74xx00
 - IC3 – 74xx32
 - IC4 – 74xx02
 - IC6 – 74xx08
 - Vcc=14
 - Gnd=7
-  PCB Conn
 Mega IN
 Mega OUT



Rear Sensor/Motor Relay Controls

IC2 – 74xx00

IC5 – 74xx02

IC6 – 74xx08

Vcc=14

Gnd=7

